



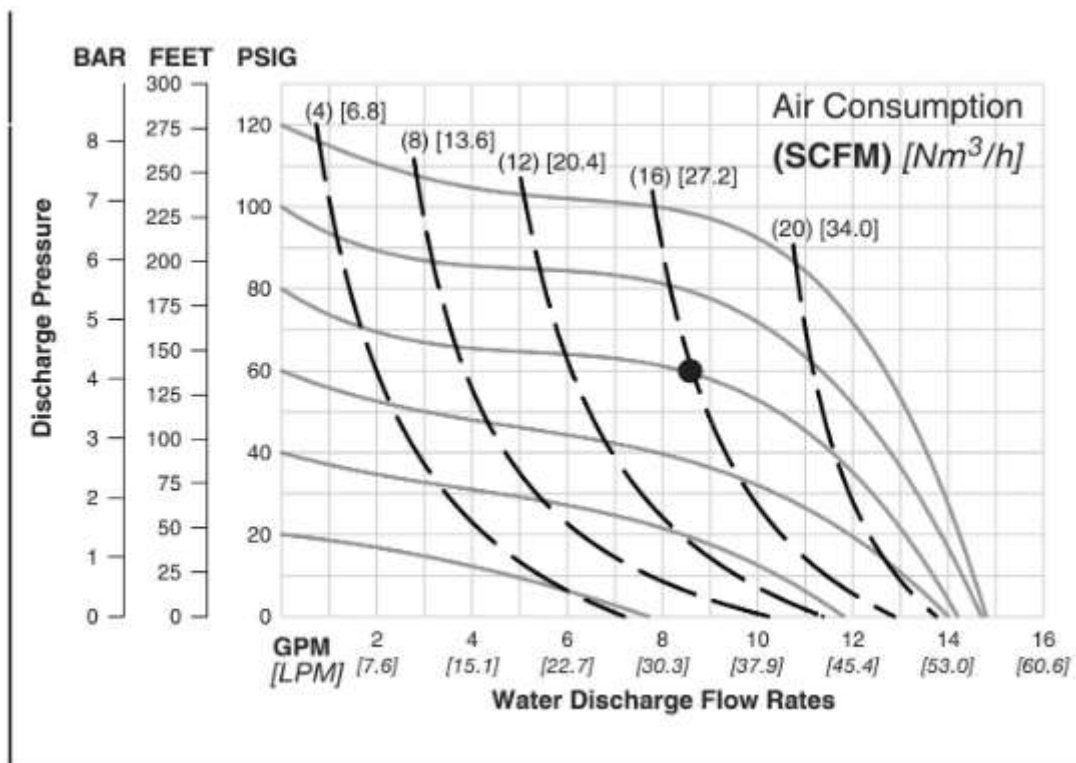
AIR OPERATED DOUBLE DIAPHRAGM PUMP

SECTION 1 – NOMENCLATURE

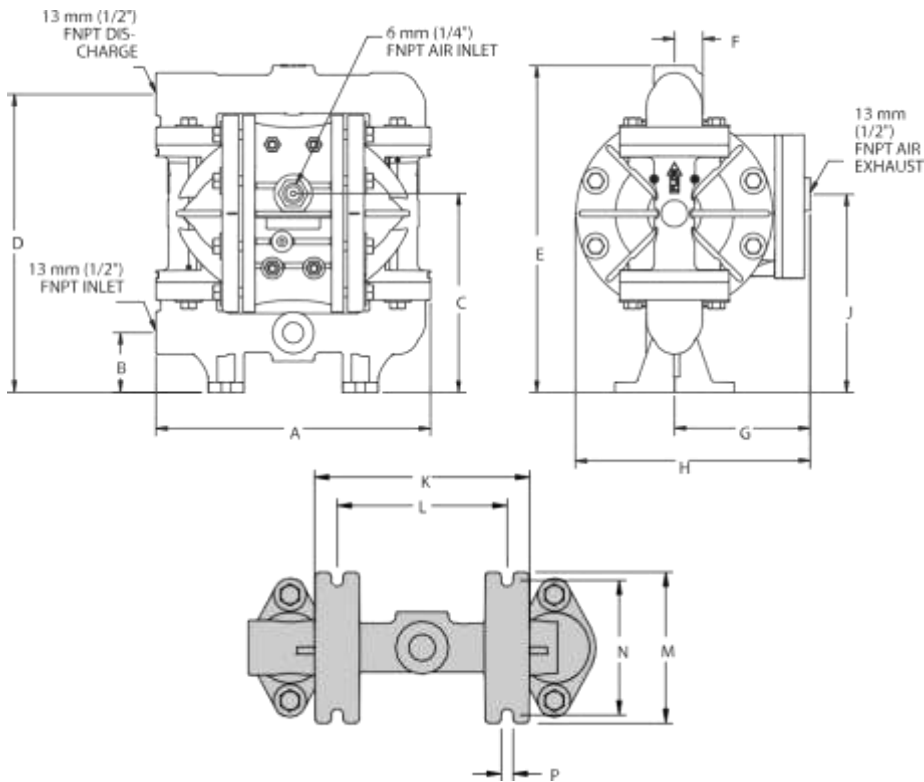
Max Flow rate	: 35Lpm
Port Size	: Inlet : 12.70mm (1/2" BSP) Discharge : 12.70mm (1/2" BSP) Air Inlet : 1/4" BSP Air Exhaust : 12.70mm (1/2 " BSP)
Suction Lift	: Dry : 1.45m (4.75') Wet : 2.83m (9.28')
Teflon	: Dry : 0.50m (1.64') Wet : 0.90m (2.95')
Max Particle Size (Dia)	: 2mm (0.078")
Diaphragm	: Teflon, <u>Santoprene</u> , Buna



SECTION 2 – FLOW CURVES

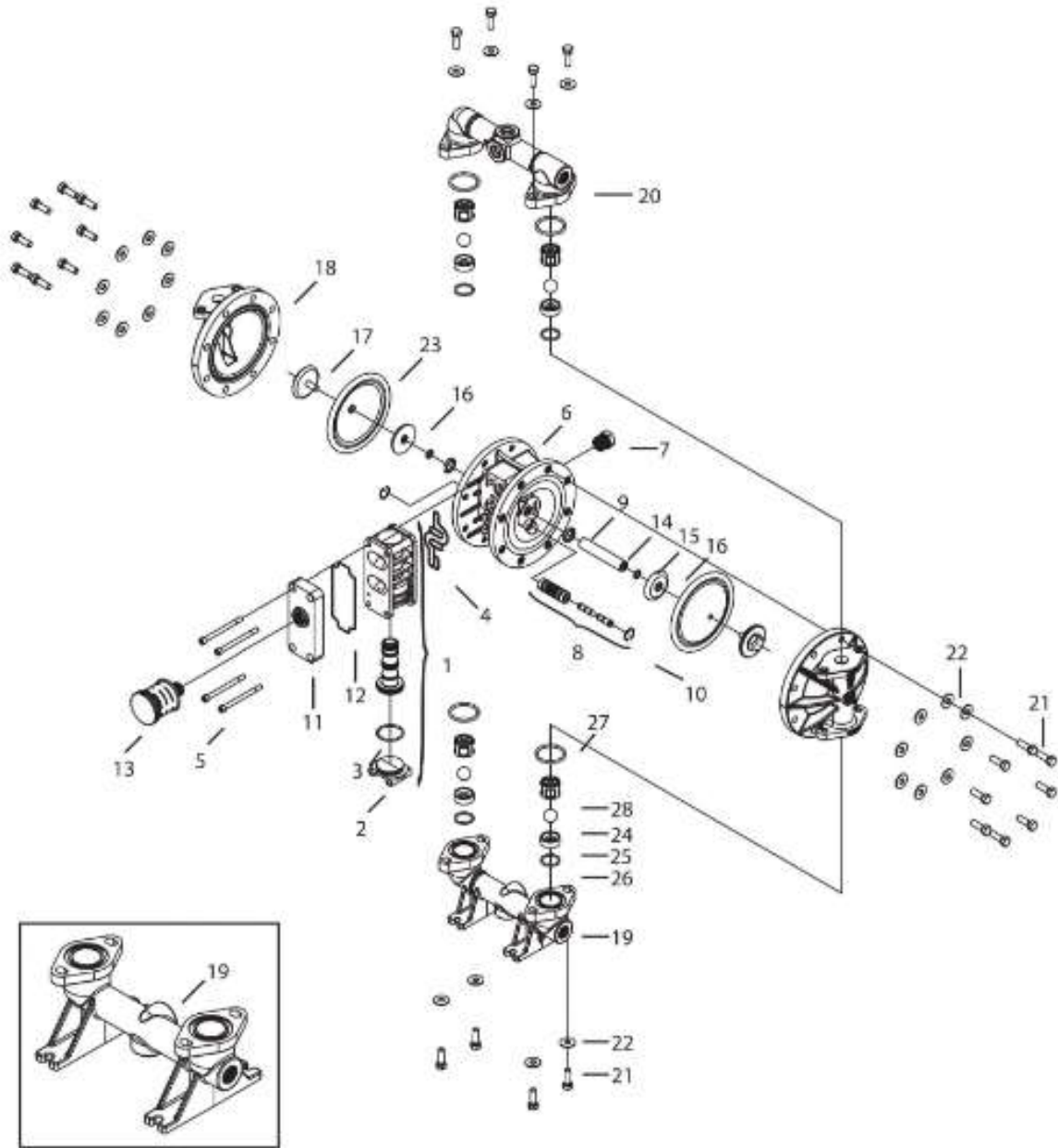


SECTION 3 – DIMENSIONS DRAWING



DIMENSIONS - NPF 15		
ITEM	METRIC (mm)	STANDARD (inch)
A	234	9.2
B	51	2.0
C	170	6.7
D	254	10.0
E	277	10.9
F	25	1.0
G	114	4.5
H	201	7.9
J	170	6.7
K	145	5.7
L	114	4.5
M	102	4.0
N	91	3.6
P	8	0.1

SECTION 4 – PUMP VIEW



SECTION 5 – SPARE PART LIST

No.	Part Description	Qty.	Polypropylene
1	Air Valve Assembly	1	N01-2010-20
2	P.B. Cap	1	N01-2332-20
3	P.B. Cap 'o' Ring	1	N01-2395-52
4	P.B. Gasket ('o' Ring)	1	N01-2615-52
5	Screw, HSHC, Air Valve 1/4-20	4	N01-6001-03
6	Center Section Assembly	1	N01-3141-20
7	Bushing Reducer	1	N01-6950-20
8	Complete Assembly Shaft	1	N01-3880-99
9	Slyder Ring	2	N01-3220-55
10	Retaining Ring	2	N00-2650-03
11	P.B. Cover	1	N01-3181-20
12	P.B. Cover Gasket ('o' Ring)	1	N01-3505-52
13	Muffler	1	N02-3510-99
14	Shaft	1	N01-3810-03
15	Disc Spring	2	N01-6802-08
16	Holding Plate	2	N01-3711-08
17	Outer Piston	2	N01-4570-20-500
18	Liquid Chamber	2	N01-5005-20
19	Inlet Manifold	1	N01-5095-20
20	Discharge Manifold	1	N01-5035-20
21	Bolt, 5/16 -18 x 1-3/8	24	N08-6100-03
22	Washer	24	N01-6732-03
23	PTFE Primary Diaphragm	2	N01-1010-55
24	Neoprene Backup Diaphragm	2	N01-1060-51
25	Valve Ball	4	N01-1080-55
26	Ball Seat	4	N01-1125-20
27	NRV Ball 'o' Ring (top/small)	4	N01-1205-60
28	NRV Ball 'o' Ring (bottom/big)	4	N05-1370-60
29	Ball Cage	4	N01-5355-20